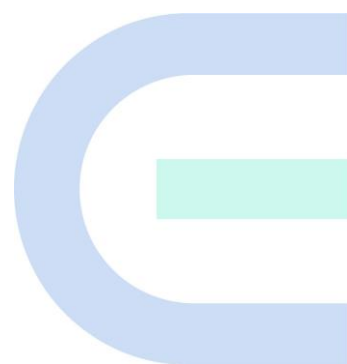


# Ruijie Reyee RG-EG105G-V3 Router

## Installation Guide



Document Version: V1.2

Date: April 7, 2026

Copyright © 2024 Ruijie Networks

## Copyright Statement

Ruijie Networks©2024

All rights are reserved in this document and this statement.

Without the prior written consent of Ruijie Networks, any organization or individual shall not reproduce, extract, back up, modify, or propagate the content of this document in any manner or in any form, or translate it into other languages or use some or all parts of the document for commercial purposes.



and other Ruijie networks logos are trademarks of Ruijie Networks.

All other trademarks or registered trademarks mentioned in this document are owned by their respective owners.

## Exemption Statement

The products, services, or features you purchase are subject to commercial contracts and terms, and some or all of the products, services, or features described in this document may not be available for you to purchase or use. Except for the agreement in the contract, Ruijie Networks makes no explicit or implicit statements or warranties with respect to the content of this document.

The names, links, descriptions, screenshots, and any other information regarding third-party software mentioned in this document are provided for your reference only. Ruijie Networks does not explicitly or implicitly endorse or recommend the use of any third-party software and does not make any assurances or guarantees concerning the applicability, security, or legality of such software. You should choose and use third-party software based on your business requirements and obtain proper authorization. Ruijie Networks assumes no liability for any risks or damages arising from your use of third-party software.

The content of this document will be updated from time to time due to product version upgrades or other reasons, Ruijie Networks reserves the right to modify the content of the document without any notice or prompt.

This manual is designed merely as a user guide. Ruijie Networks has tried its best to ensure the accuracy and reliability of the content when compiling this manual, but it does not guarantee that the content of the manual is completely free of errors or omissions, and all the information in this manual does not constitute any explicit or implicit warranties.

# Preface

## Intended Audience

This document is intended for:

- Network engineers
- Technical support and servicing engineers
- Network administrators

## Technical Support

- Ruijie Reye website: <https://reyee.ruijie.com>
- Online support center: <https://reyee.ruijie.com/en-global/support>
- Case portal: <https://www.ruijie.com/support/caseportal>
- Community: <https://community.ruijie.com>
- Email support: [service\\_rj@ruijie.com](mailto:service_rj@ruijie.com)
- Live chat: <https://reyee.ruijie.com/en-global/rita>

## Conventions

### 1. Signs

The signs used in this document are described as below:

---

#### **Danger**

An alert that calls attention to safety operation instructions that if not understood or followed when operating the device can result in physical injury.

---

#### **Warning**

An alert that calls attention to important rules and information that if not understood or followed can result in data loss or equipment damage.

---

#### **Caution**

An alert that calls attention to essential information that if not understood or followed can result in function failure or performance degradation.

---

#### **Note**

An alert that contains additional or supplementary information that if not understood or followed will not lead to serious consequences.

---

#### **Specification**

An alert that contains a description of product or version support.

---

## **2. Note**

This manual provides the device installation steps, hardware troubleshooting, module technical specifications, and specifications and usage guidelines for cables and connectors. It is intended for the users who have some experience in installing and maintaining network hardware. At the same time, it is assumed that the users are already familiar with the related terms and concepts.

# Contents

Preface .....	I
1 Product Overview .....	1
1.1 Package Contents.....	1
1.2 Specifications.....	1
1.3 Appearance.....	3
1.4 Heat Dissipation.....	4
1.5 Port.....	5
1.6 LED Indicator .....	5
2 Preparing for Installation .....	6
2.1 Safety Precautions.....	6
2.1.1 Installation .....	6
2.1.2 Movement .....	6
2.1.3 Electricity.....	6
2.1.4 Static Discharge Damage Prevention.....	7
2.2 Installation Site Requirements.....	7
2.2.1 Installation Site.....	7
2.2.2 Ventilation.....	7
2.2.3 Temperature and Humidity.....	8
2.2.4 Cleanness .....	8
2.2.5 EMI .....	9
2.2.6 Mounting .....	9
2.3 Installation Tool Requirements .....	10
3 Installing the Router .....	11

3.1 Installation Procedure .....	11
3.2 Preparing.....	12
3.3 Precautions .....	12
3.4 Installing the Device.....	12
3.4.1 Mounting the Router to a Desk .....	12
3.4.2 Mounting the Device on the Wall .....	13
3.5 Connecting the Power Supply .....	14
3.6 Connecting Cables.....	15
3.7 Bundling Cables.....	15
3.7.1 Precautions .....	15
3.7.2 Bundling Steps.....	15
3.8 Checking after Installation .....	15
3.8.1 Checking Cable Connection .....	15
3.8.2 Checking Power Supply.....	15
4 System Debugging.....	16
4.1 Establishing the Debugging Environment .....	16
4.2 Startup Check .....	16
4.2.1 Checking before the Device is Powered on .....	16
4.2.2 Checking after Program Startup (Recommended).....	16
4.3 Log In to the Web Interface .....	17
4.4 Configuring Router.....	17
5 Maintenance and Troubleshooting.....	18
5.1 General Troubleshooting Procedure .....	18
5.2 Troubleshooting Common Faults .....	18

- 6 Appendix..... 19
  - 6.1.1 Connectors and Connection Media ..... 19
  - 6.1.2 Optical Fiber Connection ..... 20
  - 6.2 Cabling Recommendations in Installation ..... 20
    - 6.2.1 Requirement for the minimum cable bend radius..... 20
    - 6.2.2 Requirement for the minimum fiber bend radius ..... 20
    - 6.2.3 Precautions for Bundling up Cables ..... 21

# 1 Product Overview

Featured with global-leading semiconductor technologies and communication control technologies, Ruijie RG-EG105G-V3 router is a data communication product developed by Ruijie Networks with independent intellectual property right. The RG-EG105G-V3 router is designed according to international standards, similar to the mainstream router products in the international market. By reading this manual, a network administrator familiar with mainstream router configuration commands can use this device without training.

## 1.1 Package Contents

**Table 1-1 Package Contents**

No.	Item	Quantity
1	RG-EG105G-V3 router	1
2	Rubber pad	4
3	Power adapter	1
4	User Manual	1
5	Warranty Card	1

### Note

The package contents generally contain the preceding items. The actual delivery is subject to the order contract. Please check your goods carefully against the order contract. If you have any questions, please contact the distributor.

## 1.2 Specifications

**Table 1-2 Technical Specifications of an RG-EG105G-V3 Router**

<b>System Specifications</b>	CPU	Dual-core processor, 880 MHz clock frequency per core
	RAM	128 MB
	Flash memory	32 MB
<b>Port Specifications</b>	Maximum number of WAN ports	2
	Maximum number of LAN ports	4

	Number of LAN/WAN ports	1
	Number of fixed WAN ports	1
	Number of fixed LAN ports	3
	Number of 10/100/1000BASE-T ports	5
	LEDs	1 x system status LED 5 x Ethernet port LEDs
	Reset button	1
	Total number of RJ45 ports	5
<b>Power Supply and Consumption</b>	Power supply	DC power adapter
	Dimensions of the DC connector	Outer diameter: 5.5 mm (0.22 in.) Inner diameter: 2.1 mm (0.08 in.) Depth: 10.0 mm (0.39 in.)
	Power input	DC adapter: <ul style="list-style-type: none"> <li>● Rated input voltage: 100 V AC to 240 V AC, 50/60 Hz</li> <li>● Maximum input voltage: 90 V AC to 264 V AC, 47 Hz to 63 Hz (optional)</li> </ul> Output: <ul style="list-style-type: none"> <li>● Rated output voltage: 12 V DC</li> <li>● Maximum output current: 1 A</li> </ul>
	Maximum power consumption	12 W
<b>Dimensions and Weight</b>	Weight	0.55 kg (1.21 lbs)
	Shipping weight	0.852 kg (1.88 lbs)
	Product dimensions (W x D x H)	206.5 mm x 108.5 mm x 28 mm (8.13 in. x 4.27 in. x 1.1 in.)
	Package dimensions (W x D x H)	540 mm x 340 mm x 285 mm (21.26 in. x 13.39 in. x 11.22 in.)
<b>Environment and Reliability</b>	Surge protection	Service port: ±4 kV for common mode  Power connector: ±2 kV for common mode and ±1 kV for differential mode
	Operating temperature	0°C to 40°C (32°F to 104°F)

	Storage temperature	-40°C to +70°C (-40°F to +158°F)
	Operating humidity	10% RH to 90% RH (non-condensing)
	Storage humidity	5% RH to 95% RH (non-condensing)
	Mounting options	Desk/Wall
	Cooling	Natural cooling
	Fan	Fanless design
<b>Certification and Regulatory Compliance</b>	RoHS	Yes
	Certification	CE, CB

**! Warning**

Operation of this equipment in a residential environment could cause radio interference.

**! Caution**

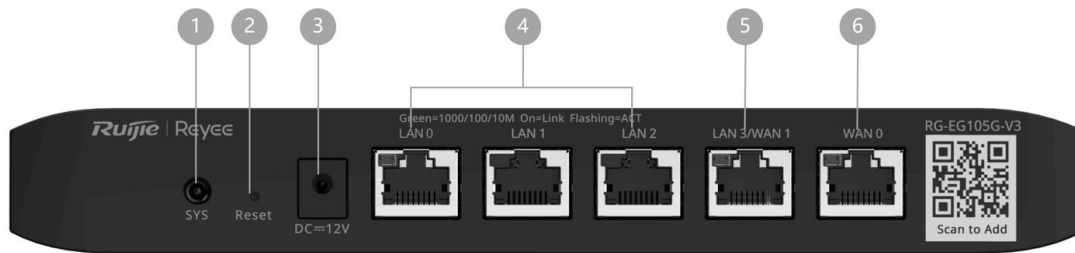
Use the power adapter provided by Ruijie.

### 1.3 Appearance

Figure 1-1 Appearance of RG-EG105G-V3



**Figure 1-2 Front Panel of RG-EG105G-V3**



Mark	Item	Mark	Item
1	System status LED	4	LAN ports
2	Reset button	5	LAN/WAN port
3	Power supply	6	WAN port

**⚠ Caution**

Reset button: Press the button for less than 2 seconds, the system will restart; press for more than 5 seconds until the system status LED blinks, the system will restore the factory settings and restart. After the device restores the factory settings, the default management address is <http://192.168.110.1> (default password: admin).

**Figure 1-3 Back Panel of RG-EG105G-V3**



## 1.4 Heat Dissipation

The RG-EG105G-V3 adopts natural heat dissipation, thereby ensuring normal function of the device in the specified environment. 10 cm distance space should be reserved at both sides and the back plane of the desk to allow air circulation. It is recommended to clean the device once every 3 months to avoid dust from blocking vents.

## 1.5 Port

Port	Description
WAN	1 WAN port, used to connect to the DSL/Cable modem for Internet access.
LAN	4 LAN ports, used to connect to the computer or switch. The port LAN 3 can be used as a WAN port via the Web configuration.

## 1.6 LED Indicator

LED Indicator	Description
System status LED	Off: The device is not powered on.
	Solid green: The device has successfully completed startup and is operating normally.
	Fast green blinking: The device is starting up.
	Slow green blinking: Restoring factory settings or upgrading firmware.
	Solid green with brief off intervals: Device not connected to Ruijie Cloud.
	One long green blink followed by three slow blinks: Main program is missing.
Link/ACT LED	Solid green: The port is up.
	Blinking green: Data are being forwarded on the port.
System status LED blinking frequency description: <ul style="list-style-type: none"> <li>● Fast blinking: Blink eight times per second.</li> <li>● Slow blinking: Blink twice per second.</li> <li>● Long blinking: Blink once every two seconds.</li> <li>● Solid with brief off intervals: One long on and one short off every two seconds.</li> </ul>	

# 2 Preparing for Installation

## 2.1 Safety Precautions

---

**Note**

- To avoid personal injury and equipment damage, please carefully read the safety suggestions before you install the RG-EG105G-V3 router.
  - The following safety precautions may not cover all possible dangers.
- 

### 2.1.1 Installation

- Keep the chassis clean and free from any dust.
- Do not place the equipment in a walking area.
- Do not wear loose clothes or accessories that may be hooked or caught by the device during installation and maintenance.

### 2.1.2 Movement

- Do not frequently move the device.
- When moving the device, note the balance and avoid hurting legs and feet or straining the back.
- Before moving the device, turn off all power supplies and dismantle all power modules.

### 2.1.3 Electricity

- Observe local regulations and specifications when performing electric operations. Relevant operators must be qualified.
- Before installing the device, carefully check any potential danger in the surroundings, such as ungrounded power supply, and damp/wet ground or floor.
- Before installing the device, find out the location of the emergency power supply switch in the room. First cut off the power supply in the case of an accident.
- Try to avoid maintaining the switch that is powered-on alone.
- Be sure to make a careful check before you shut down the power supply.
- Do not place the equipment in a damp location. Do not let any liquid enter the chassis.

---

**Caution**

- Any non-standard and inappropriate electric operations may cause an accident such as a fire or electrical shock, thus causing severe even fatal damage to human bodies and equipment.
- Direct or indirect touch through a wet object on high-voltage and commercial electricity may bring a fatal danger.
- If a power supply system is equipped with a leakage protector (also referred to as "leakage current switch" or "leakage current breaker"), the rated leakage action current of each leakage protector is

greater than twice of the theoretical maximum leakage current of all the power supplies in the system. For example, if a system is equipped with eight identical power supplies, the leakage current of each power supply is equal to or less than 3.5 mA, and the leakage current of the system totals 56 mA. A leakage protector with 30 mA rated action current supports less than five power supplies (that is, Action current of the leakage protector/2/Maximum leakage current of each power supply =  $30/2/3.5 = 4.28$ ). In other words, the leakage protector with 30 mA rated action current supports no more than four power supplies. In this case, the sixteen power supplies in the system require at least four leakage protectors with 30 mA rated action current and each leakage protector supports four power supplies. If power supplies in a system differ in models, the rated leakage action current of each leakage protector divided by two is greater than the sum of maximum leakage currents of all the power supplies. The rated leakage non-action current of a leakage protector shall be 50% of the leakage action current. Take a leakage protector with 30 mA rated leakage action current as an example. The rated leakage non-action current shall be 15 mA. When the leakage current is below 15 mA, the protector shall not act. Otherwise, misoperation may easily occur due to high sensitivity and thus the leakage protector trips, devices are powered off, and services are interrupted.

- To guarantee personal safety, the rated leakage action current of each leakage protector in the system must be equal to or less than 30 mA (human body safety current is 30 mA). When twice of the total leakage current of the system is greater than 30 mA, the system must be equipped with two or more leakage protectors.
  - For the leakage current value of each power supply model, see the power supply model parameter table in Chapter 1.
- 

### 2.1.4 Static Discharge Damage Prevention

To prevent damage from static electricity, pay attention to the following:

- Indoor dust prevention
- Proper humidity conditions

## 2.2 Installation Site Requirements

To ensure the normal working and a prolonged durable life of the equipment, the installation site must meet the following requirements.

### 2.2.1 Installation Site

If the router is installed in the desk, the following requirements shall be met:

- Make sure sufficient room has been reserved for the air intake and air vent of router to facilitate the heat elimination of the router chassis. Please install the router on a clean and flat surface. In heated areas, the air conditioning system shall be equipped.
- Make sure the desk is equipped with a good ventilation and cooling system.
- Make sure the desk is steady enough and capable of withstanding the weight of the router and its accessories.
- Make sure the desk is properly grounded.

### 2.2.2 Ventilation

For the router, a sufficient space (at least 10 cm distances from both sides and the back plane of the desk) should be reserved at the ventilation openings to ensure the normal ventilation. After various cables have been

connected, they should be arranged into bundles or placed on the cabling rack to avoid blocking the air inlets. It is recommended to clean the router at regular intervals (like once every 3 months).

### 2.2.3 Temperature and Humidity

To ensure the normal operation and prolong the service life of router, you should keep proper temperature and humidity in the equipment room.

If the equipment room has temperature and humidity that do not meet the requirements for a long time, the equipment may be damaged.

- In an environment with relatively high humidity, the insulating material may have bad insulation or even leak electricity. Sometimes the materials may suffer from mechanical performance change and metallic parts may get rusted.
- In an environment with relatively low humidity, however, the insulating strip may dry and shrink. Static electricity may occur easily and endanger the circuit on the equipment.
- In an environment with high temperature, the equipment is subject to even greater harm, as its performance may degrade significantly and various hardware faults may occur.

Temperature	Relative Humidity
0 °C to 40°C (32°F to 104°F)	10% to 90% (-40°F to 158°F)

#### Note

The requirements for the sampling site of the temperature and humidity in the operating environment of the device are as follows:

- There is no protective plate at the front or back of the equipment rack.
- The vertical height is 1.5 m above the floor.
- The distance from the front panel of the equipment is 0.4 m.

### 2.2.4 Cleanness

Dust poses a severe threat to the running of the equipment. The indoor dust falling on the equipment may be adhered by the static electricity, causing bad contact of the metallic joint. Such electrostatic adherence may occur more easily when the relative humidity is low, not only affecting the useful life of the equipment, but also causing communication faults.

**Table 2-1 Requirements for the Dust Content and Granularity in the Equipment Room**

Dust	Unit	Density
Diameter $\geq$ 0.5 $\mu$ m	Particles/m <sup>3</sup>	$\leq 3.5 \times 10^6$
Diameter $\geq$ 5 $\mu$ m	Particles/m <sup>3</sup>	$\leq 3 \times 10^4$

Apart from dust, the salt, acid and sulfide in the air in the equipment room must also meet strict requirements, as such poisonous substances may accelerate the corrosion of the metal and the aging of some parts. The equipment room should be protected from the intrusion of harmful gases such as sulfur dioxide, sulfured hydrogen, nitrogen dioxide, and chlorine.

**Table 2-2 Requirements for Harmful Gases in the Equipment Room**

Gas	Average (mg/m3)	Maximum (mg/m3)
SO <sub>2</sub>	0.3	1.0
H <sub>2</sub> S	0.1	0.5
NO <sub>2</sub>	0.5	1.0
Cl <sub>2</sub>	0.1	0.3

### 2.2.5 EMI

Electro-Magnetic Interference (EMI), from either outside or inside the equipment or application system, affects the system in the conductive ways such as capacitive coupling, inductive coupling, and electromagnetic radiation. There are two types of electromagnetic interference: radiated interference and conducted interference, depending on the type of the transmission path.

When the energy, often RF energy, from a component arrives at a sensitive component via the space, the energy is known as radiated interference. The interference source can be either a part of the interfered system or a completely electrically isolated unit. Conducted interference results from the electromagnetic wire or signal cable connection between the source and the sensitive component, along which cable the interference conducts from one unit to another. Conducted interference often affects the power supply of the equipment, but can be controlled by a filter. Radiated interference may affect any signal path in the equipment and is difficult to shield.

- Effective measures should be taken for the power system to prevent the interference from the electric grid.
- The working ground of the routers should be properly separated and kept as far as possible from the grounding device of the electrical equipment or the anti-lightning grounding device.
- Keep the equipment away from high-power radio transmitter, radar transmitting station, and high-frequency large-current device.
- Measures must be taken to shield static electricity.

### 2.2.6 Mounting

The router supports wall mounting. The recommended screws and wall anchors are listed in the following table.

Type	Specification	Quantity
Pan-head self-tapping screw with cross recess	ST4.2*20PWA-9mm	2
Plastic wall anchor	4*20 wall anchor for self-tapping screw	2

## 2.3 Installation Tool Requirements

Table 2-3 List of Installation Tools

<b>Common Tools</b>	Phillips screwdriver, related copper and fiber cables, bolts, diagonal pliers, cable ties
<b>Special Tools</b>	Wire stripper, crimping pliers, RJ-45 crimping pliers, punch down tool
<b>Meter</b>	Multimeter

---

 **Note**

The tool kit is customer-supplied.

---

# 3 Installing the Router

---

**⚠ Caution**

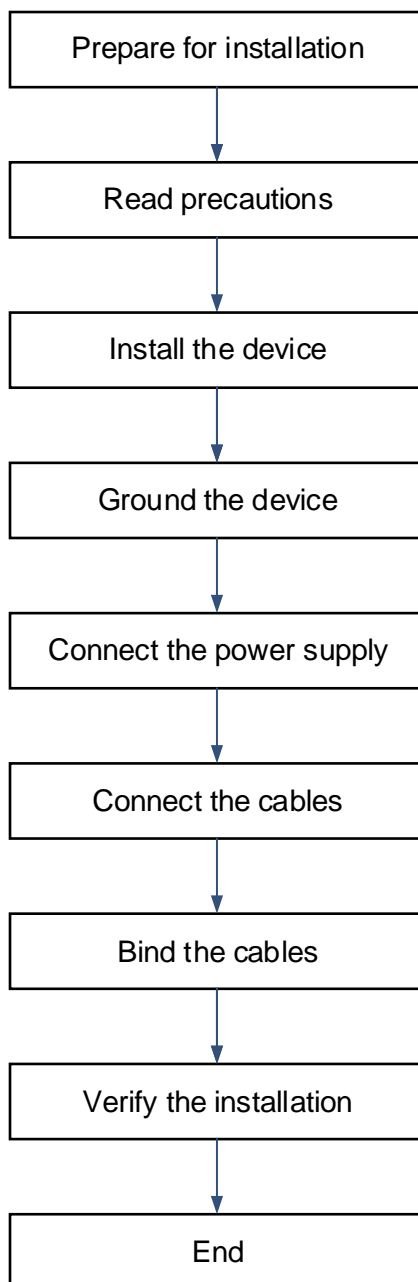
Ensure that requirements in Chapter 2 are all met.

---

## 3.1 Installation Procedure

The installation steps are shown in the following figure.

**Figure 3-1 Installation Procedure**



## 3.2 Preparing

Carefully plan and arrange the installation position, networking mode, power supply and cabling before installation. Confirm the following requirements before installation:

- The installation site provides sufficient space for heat dissipation.
- The installation site meets the temperature and humidity requirements of the device.
- The power supply and required current are available in the installation site.
- The network cables have been deployed in the installation site.
- The selected power supply modules meet the system power requirements.
- The position of the indoor emergency power switch is learned before installation. The power switch should be cut off in case of accidents.

## 3.3 Precautions

To ensure the normal operation and prolonged service life of the device, please observe the following precautions:

- Do not power on the device during installation.
- Install the device in a well-ventilated position.
- Do not subject the device to high temperatures.
- Keep away from high voltage cables.
- Install the device indoors.
- Do not expose the device in a thunderstorm or strong electric field.
- Keep the device clean and dust-free.
- Cut off the power switch before cleaning the device.
- Do not wipe the device with a damp cloth.
- Do not wash the device with liquid.
- Do not open the enclosure when the device is working.
- Fasten the device tightly.

## 3.4 Installing the Device


### 3.4.1 Mounting the Router to a Desk

Please place the router on a clean desk. The operation is as follows:

Step 1: Attach the four rubber pads to the four corners on the bottom.

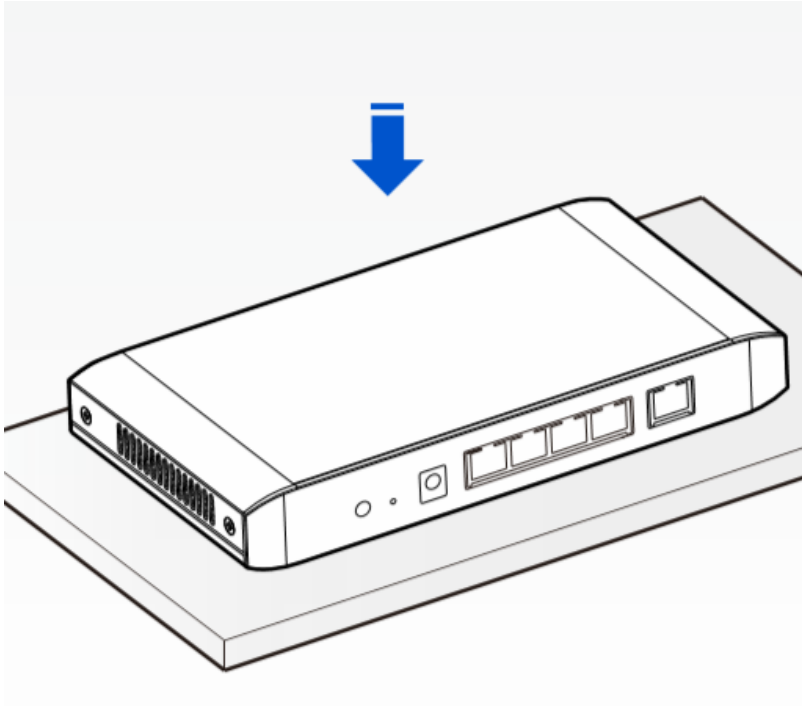
Step 2: Place the router on the desk and ensure good ventilation condition around the router.

---

 **Caution**

The desk on which the device is mounted and operated must not be moved.

---



### 3.4.2 Mounting the Device on the Wall

RG-EG105G-V3 can be mounted on the wall. (Mounting screws and wall anchors are customer-supplied.)

In actual installation, users need to determine the size and depth of the two mounting holes on the wall based on the sizes of wall anchors and screws. Ensure that the wall anchors can be inserted into the holes, and only the outer edges of the wall anchors are left outside the wall, and screws can be tightly fastened to the wall.

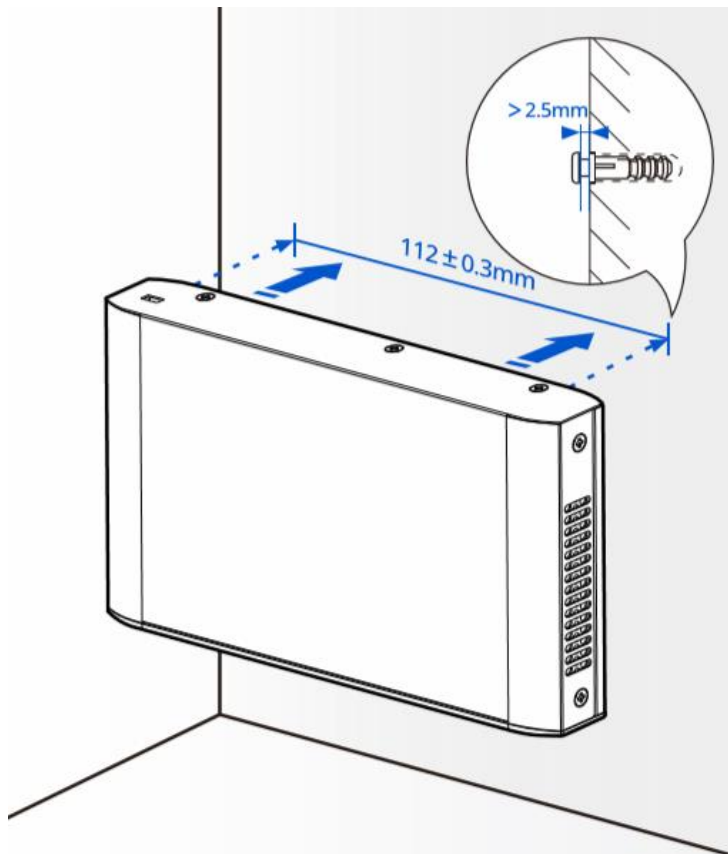
The steps of mounting the device on the wall are as follows:

Step 1: As shown in [Figure 3-2](#), drill two holes with the diameter of about 5 mm (0.20 in.) on the wall, ensure that the distance between the two holes is 112 mm (4.41 in.), and the line of connecting the two holes is horizontal.

Step 2: Insert wall anchors into the holes and ensure that the outer edges of the wall anchors are aligned with the wall.

Step 3: Put two M4 screws into the wall anchors and ensure that the distance between the inner side of the screw head and the outer edge of the wall anchors is not less than 2.5 mm (0.10 in.) so that the device can be securely mounted on the screws.

Step 4: Align the two mounting holes on the bottom of the chassis of the device with the screws, and then secure the device on the screws.

**Figure 3-2 Mounting the Router on the Wall**

---

**⚠ Caution**

The device can be mounted only on the concrete or other non-combustible walls.

---

### 3.5 Connecting the Power Supply

RG-EG105G-V3 router uses 2-conductor power cables. You are suggested to use a single-phase 2-conductor outlet or a multifunction microcomputer outlet with neutral connector.

The neutral point of the power supply shall be securely grounded in the building. In most buildings, the neutral point of a power supply has been grounded during the construction. You need to make sure the power supply is properly grounded.

Please take the following steps:

- Plug one end of the power cable into the power socket of the router, and plug the other end into the AC power supply outlet.
- Check whether the power LED on the front panel of the router lights up or not. The LED indicator will light up if the power supply is properly connected.

---

**⚠ Caution**

- Please use the power supply adapter delivered with the device to prevent accidents.
-

- The maintenance personnel should check whether the AC socket is reliably connected to the protection ground of the building. If not, the maintenance personnel should use a protection ground wire to connect the protection ground terminal of the AC socket to the protection ground of the building.
  - The power socket should be installed in an easily operable position near the device.
- 

## 3.6 Connecting Cables

- Connect the RJ-45 connector of the delivered Ethernet cable to the Ethernet interface of the device and the other end to the management terminal.
- Insert the SMF and MMF optic cables into the corresponding ports according to the panel identification, and distinguish the transmitting and receiving ends of the fiber-optic cable.
- Insert the twisted pair cable with RJ45 connector into the corresponding interface according to the panel identification, and distinguish the crossover cable and the straight-through cable.

## 3.7 Bundling Cables

### 3.7.1 Precautions

- The power cords and other cables should be bundled in a visually pleasing way.
- When you bundle twisted pairs and fiber-optic cables, make sure that the twisted pairs and fiber-optic cables at the connectors have natural bends or bends of large radius.
- Do not bundle twisted pairs and fiber-optic cables too tightly, as this may press hard the fibers and affect their service life and transmission performance.

### 3.7.2 Bundling Steps

- (1) Bind the drooping part of the twisted pairs and fiber-optic cables and lead them to both sides of the device for convenience.
- (2) Fasten the twisted pairs and fiber-optic cables to the cable management ring or bracket. Attach the cables in the cable tray of the rack.
- (3) Bundle the twisted pairs and fiber-optic cables closely along the bottom of the device and in a straight line wherever possible.

## 3.8 Checking after Installation

### 3.8.1 Checking Cable Connection

- Verify that the UTP/STP cable matches the interface type.
- Verify that cables are properly bundled.

### 3.8.2 Checking Power Supply

- Verify that the power supply is properly connected and compliant with safety requirements.
- Verify that the device is operational after power-on.

# 4 System Debugging

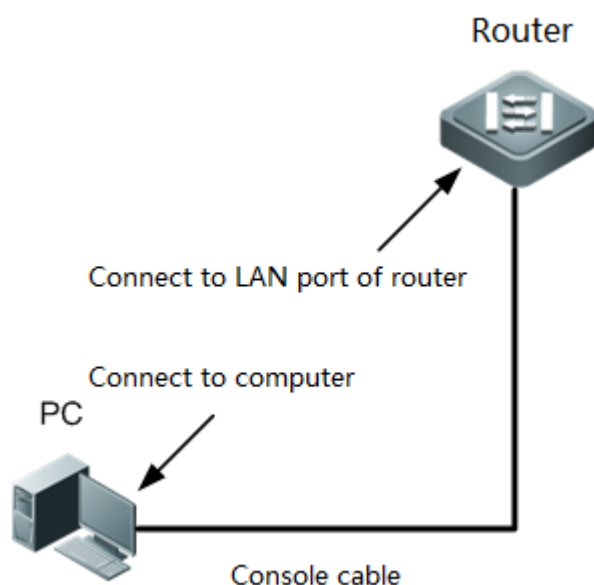
## 4.1 Establishing the Debugging Environment

### Establishing the Debugging Environment

Connect the PC to the LAN port of the router, and configure the PC to obtain an IP address automatically.

Or connect the cable of AP to the LAN port of the router. After the AP is powered on, it will broadcast the SSID starting with @Ruijie-m. You can connect to the SSID for configuration.

Figure 4-1 Schematic Diagram of the Configuration Environment



## 4.2 Startup Check

### 4.2.1 Checking before the Device is Powered on

- The power cable is correctly connected.
- The power supply voltage complies with the requirement of the router.
- The cable of the PC is properly connected to the LAN port of the router. The parameter settings are correct.

### 4.2.2 Checking after Program Startup (Recommended)

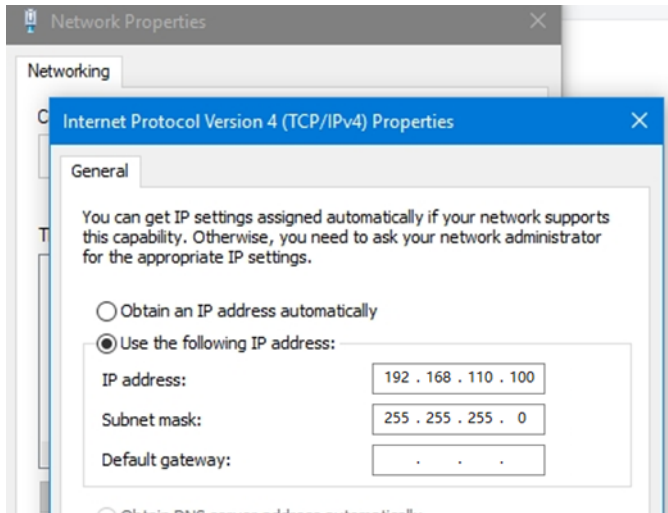
After power-on, you are recommended to perform the following checks to ensure the normal operation of follow-up configurations.

- Check whether the status of the device indicator is normal.

## 4.3 Log In to the Web Interface

- (1) Start up the PC and configure the local connection attribute on the PC. Change the static IP address of the PC to 192.168.110.XXX (2–254).

Figure 4-2 Change the IP Address of the PC



- (2) Open a browser, enter 192.168.110.1 into the address bar of the browser, and press **Enter**.

---

**⚠ Caution**

Use the default password "admin" to log in to the device for the first time. To ensure security, you are advised to change the password after login, and update the password regularly.

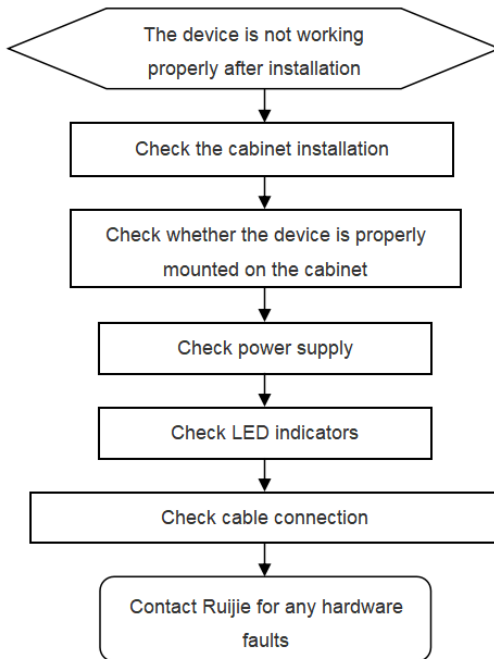
---

## 4.4 Configuring Router

To use the router, more configuration should be made on the device. Please refer to the corresponding command reference and configuration guide.

# 5 Maintenance and Troubleshooting

## 5.1 General Troubleshooting Procedure



## 5.2 Troubleshooting Common Faults

Symptom	Possible Causes	Solution
Forgetting the login password	A password is manually configured but it is forgotten.	Press the Reset Button for more than 5 seconds to restore the default password.
The status indicator is not on after the device is started.	The power supply module does not supply power.	Check whether the power socket at the equipment room is normal and whether the power cable of the device is in good contact.

# 6 Appendix

## 6.1.1 Connectors and Connection Media

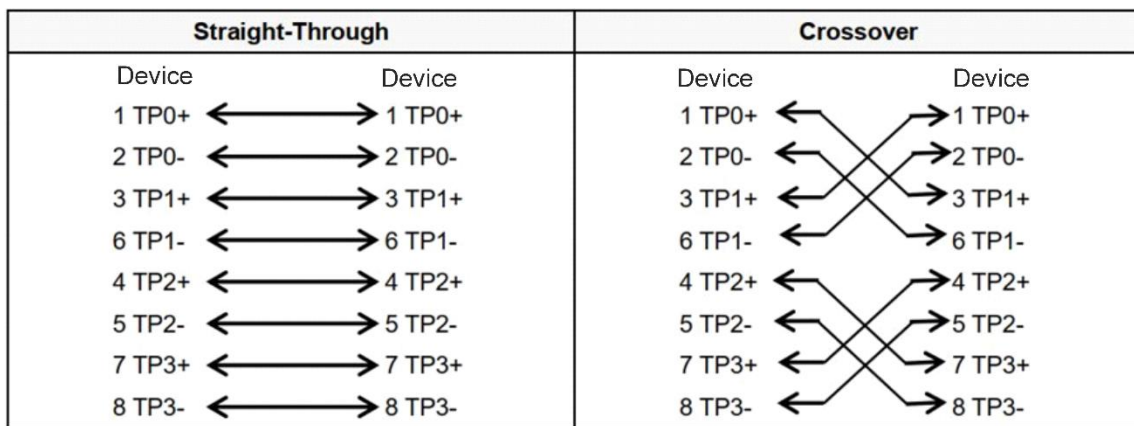
### 1000BASE-T/100BASE-TX/10BASE-T Ports

The 1000BASE-T/100BASE-TX/10BASE-T is a port that supports adaptation of three rates, and automatic MDI/MDIX Crossover at these three rates.

The 1000BASE-T complies with IEEE 802.3ab, and uses the cable of 100-ohm Category-5 or Category 5 Enhanced UTP or STP, which can be up to 100 m.

The 1000BASE-T port uses four pairs of wires for transmission, all of which must be connected. [Figure 6-1](#) shows the connections of the twisted pairs used by the 1000BASE-T port.

**Figure 6-1 Four Twisted Pairs of the 1000BASE-T**



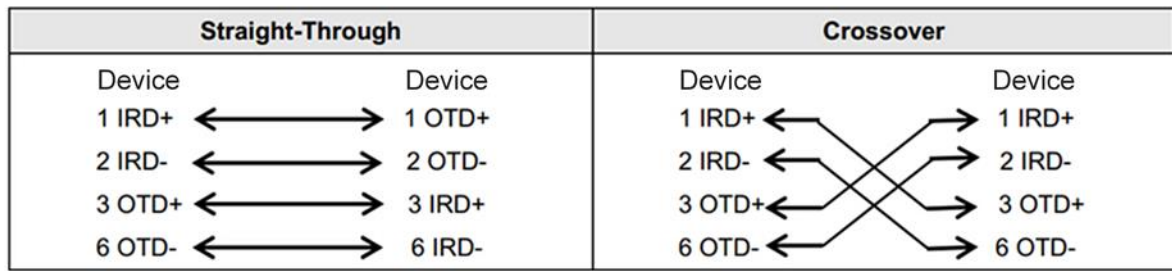
In addition to the above cables, the 100BASE-TX/10BASE-T can also use 100-ohm Category-3, 4, 5 cables for 10 Mbps, and 100-ohm Category-5 cables for 100 Mbps, both of which can be up to 100 m. [Figure 6-2](#) shows the pinouts of the 100BASE-TX/10BASE-T.

**Figure 6-2 Pinouts of the 100BASE-TX/10BASE-T**

Pin	Socket	Plug
1	Input Receive Data+	Output Transmit Data+
2	Input Receive Data-	Output Transmit Data-
3	Output Transmit Data+	Input Receive Data+
6	Output Transmit Data-	Input Receive Data-
4,5,7,8	Not used	Not used

[Figure 6-3](#) shows the straight-through and crossover cable connections for the 100BASE-TX/10BASE-T.

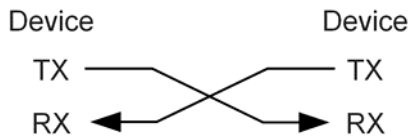
**Figure 6-3 Connections of the Twisted Pairs of the 100BASE-TX/10BASE-T**



### 6.1.2 Optical Fiber Connection

For the optical fiber ports, select single-mode or multiple-mode optical fibers for connection according to the fiber module connected. The connection schematic diagram is shown in [Figure 6-4](#):

**Figure 6-4 Optical Fiber Connections**



## 6.2 Cabling Recommendations in Installation

When the device is installed in standard 19-inch cabinets, the cables are tied in the binding rack on the cabinet by the cabling rack, and top cabling or bottom cabling is adopted according to the actual situation in the equipment room. All cable connectors should be placed at the bottom of the cabinet in an orderly manner instead of outside the cabinet easy to touch. Power cables are routed beside the cabinet, and top cabling or bottom cabling is adopted according to the actual situation in the equipment room, such as the position of the DC power distribution box, AC socket, or lightning protection box.

### 6.2.1 Requirement for the minimum cable bend radius

- The bend radius of a power cord, communication cable, and flat cable should be greater than five times their respective diameters. The bend radius of these cables that often bend or suffer removal/insertion should be greater than seven times their respective diameters.
- The bend radius of a common coaxial cable should be greater than seven times its diameter. The bend radius of this type of cables that often bend or suffer removal/insertion should be greater than 10 times its diameter.
- The bend radius of a high-speed cable (SFP cable, for example) should be greater than five times its diameter. The bend radius of this type of cables that often bend or suffer removal/insertion should be greater than 10 times its diameter.

### 6.2.2 Requirement for the minimum fiber bend radius

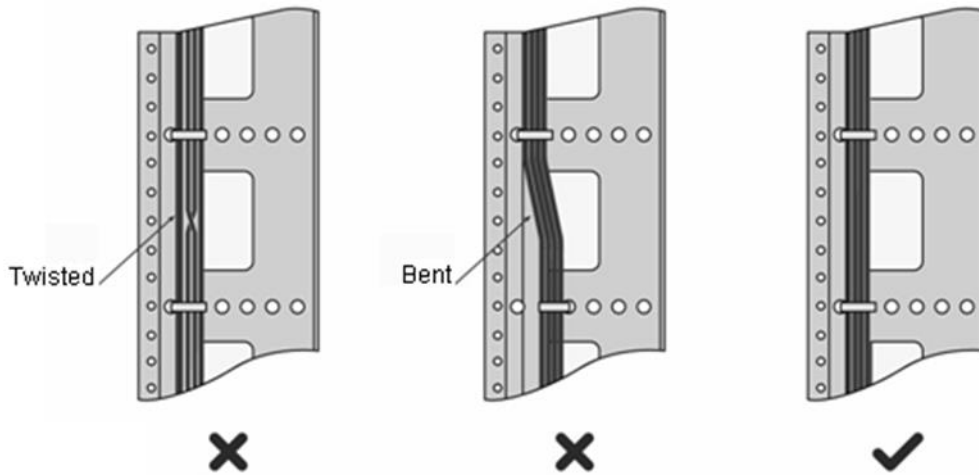
- The diameter of a fiber tray to hold fibers cannot be less than 25 times the diameter of the fiber.
- When moving an optical fiber, the bend radius of the fiber should be equal to or greater than 20 times the diameter of the fiber.

- During cabling of an optical fiber, the bend radius of the fiber should be equal to or greater than 10 times the diameter of the fiber.

### 6.2.3 Precautions for Bundling up Cables

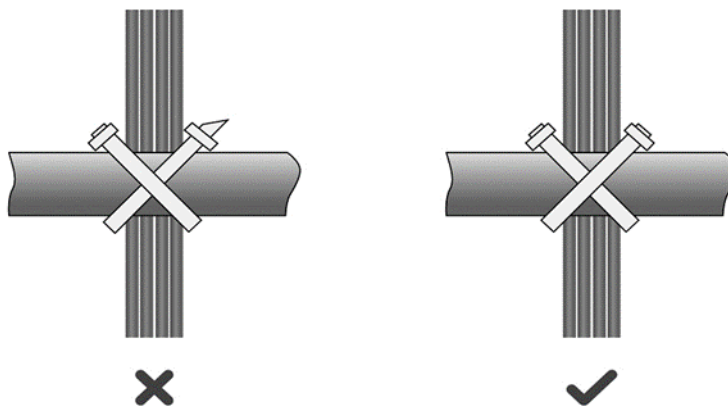
- Before bundling cables, correctly mark labels and stick the labels to cables where appropriate.
- Cables should be neatly and properly bundled, as shown in [Figure 6-5](#).

Figure 6-5 Bundling Up Cables (1)



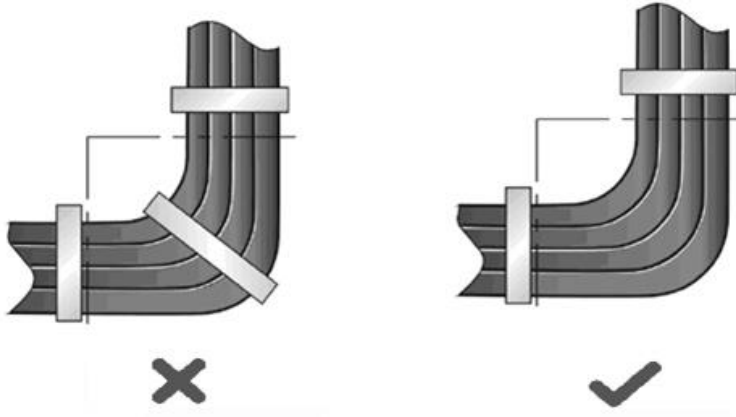
- Cables of different types (such as power cords, signal cables, and grounding cables) should be separated in cabling and bundling. When they are close, crossover cabling can be adopted. In the case of parallel cabling, power cords and signal cables should maintain a space equal to or greater than 30 mm.
- The binding rack and cabling slot inside and outside the cabinet should be smooth, without sharp corners.
- The metal hole traversed by cables should have a smooth and fully rounding surface or an insulated lining.
- Proper buckles should be selected to bundle up cables. It is forbidden to connect two or more buckles to bundle up cables.
- After bundling up cables with buckles, you should cut off the remaining part. The cut should be smooth and trim, without sharp corners, as shown in [Figure 6-6](#).

Figure 6-6 Bundling Up Cables (2)



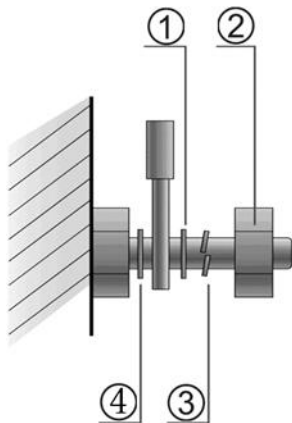
- When cables need to bend, you should first bundle them up. However, the buckle cannot be bundled within the bend area. Otherwise, significant stress may be generated in cables, breaking cable cores. As shown in [Figure 6-7](#).

**Figure 6-7 Bundling Up Cables (3)**



- Cables not to be assembled or remaining parts of cables should be folded and placed in a proper position of the cabinet or cabling slot. The proper position indicates a position that will not affect device running or cause device damage or cable damage during commissioning.
- The power cords cannot be bundled on the guide rails of moving parts.
- The power cables connecting moving parts such as door grounding wires should be reserved with some access after assembled. When the moving part reaches the installation position, the remaining part should not touch heat sources, sharp corners, or sharp edges. If heat sources cannot be avoided, high-temperature cables should be used.
- When using screw threads to fasten cable terminals, the bolt or screw must be tightly fastened, and anti-loosening measures should be taken, as shown in [Figure 6-8](#).

**Figure 6-8 Cable Fastening**



- |               |                 |
|---------------|-----------------|
| ① Flat Washer | ③ Spring Washer |
| ② Nut         | ④ Flat Washer   |

- The hard power cable should be fastened by the terminal connection area to prevent stress.
- Do not use self-tapping screws to fasten terminals.
- Power cables of the same type and in the same cabling direction should be bundled up into cable bunches, with cables in cable bunches clean and straight.
- Binding by using buckles should be performed according to the table.

<b>Cable Bunch Diameter</b>	<b>Distance between Every Binding Point</b>
10 mm (0.39 in.)	80 mm to 150 mm (3.15 in. to 5.91 in.)
10 mm to 30 mm (0.39 in. to 1.18 in.)	150 mm to 200 mm (5.91 in. to 7.87 in.)
30 mm (1.18 in.)	200 mm to 300 mm (7.87 in. to 11.81 in.)

- No knot is allowed in cabling or bundling.
- For solder-less terminal blocks (such as air switches) of the cold pressing terminal type, the metal part of the cold pressing terminal should not be exposed outside the terminal block when assemble