

DHI-VTO2201F-P-S2

IP Villa Door Station



Technical Specification

System

Main Processor	Embedded Processor
Operating System	Embedded Linux Operation System
Button Type	Mechanical
Number of Buttons	1
Interoperability	ONVIF; CGI
Network Protocol	IPv4; RTSP; UDP; DNS; P2P; UPnP; RTP; TCP; SIP

Basic

Camera	1/2.9" 2 MP CMOS
Field of View	H:168.6°; V:87.1°; D:176.7°
WDR	120 dB
Noise Reduction	3D NR
Video Compression	H.265; H.264
Video Resolution	Main stream: 720p; WVGA; D1; CIF Sub stream: 1080p; WVGA; D1; QVGA; CIF
Video Frame Rate	25 fps
Video Bit Rate	256 Kbps to 8 Mbps
Light Compensation	Auto IR
Day/Night	Auto(ICR)/Color/B/W; Color/B/W
Audio Compression	G.711a; G.711u; PCM
Audio Input	1 channel
Audio Output	Built-in speaker
Audio Mode	Two-way audio
Audio Enhancement	Echo suppression/digital noise reduction

- Anodized aluminum front panel.
- CMOS low illumination 2MP HD colorful 168.6° camera.
- Video intercom function.
- Provides 12 VDC, 600 mA power.
- Mobile phone app, talk to the visitor or unlock the door remotely on your phone.
- IK07 & IP65 rated (silicone sealant is required for the shell, see the quick start guide).
- Support surface and flush mount.
- Support H.265 and H.264.
- Standard PoE power supply (if the VTO device with 12 V power output needs to charge the load, it should be connected to a PSE switch that complies with the 802.3.at standard).



Audio Bit Rate	16 kHz, 16 bits
----------------	-----------------

Function

Communication Mode	Full digital
Unlock Mode	Remote
Leave Videos	Yes (SD card is inserted in the indoor monitor or door station)
Storage	Supports Micro SD card (up to 256 GB)
Web Configuration	Yes

Performance

Casing Material	Aluminum
-----------------	----------

Port

RS-485	1
Alarm Output	1
Power Output	1 port, 12 V/600 mA
Exit Button	1
Door Status Detection	1
Lock Control	1
Network Port	1 × RJ-45 port, 10 Mbps/100 Mbps network port

Alarm

Tamper Alarm	Yes
--------------	-----

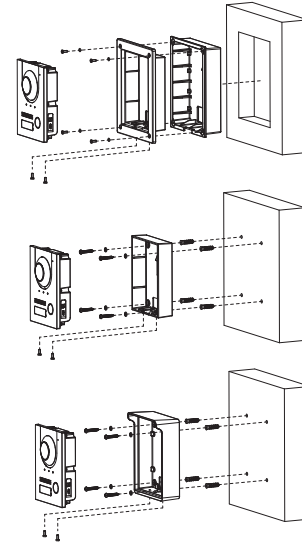
General

Appearance Color	Silver
Power Supply	12 VDC, 2 A, PoE (802.3af/at)
Power Adapter	Optional
Installation	Flush Mount; Surface Mount
Certifications	CE
Accessory	Surface mount box (optional); flush mount box (optional); rain cover (optional)
Product Dimensions	130 mm × 96 mm × 28.5 mm (5.12" × 3.78" × 1.12")
Protection	IK07; IP65
Operating Temperature	-30 °C to +60 °C (-22 °F to +140 °F)
Operating Humidity	10%–90% (RH), non-condensing
Operating Environment	Outdoor
Operating Altitude	0 m–3,000 m (0 ft–9,842.52 ft)
Power Consumption	≤4 W (standby), ≤5 W (working)
Gross Weight	0.48 kg (1.06 lb)
Storage Temperature	0 °C to +40 °C (+32 °F to +104 °F)
Storage Humidity	30%–75% (RH), non-condensing

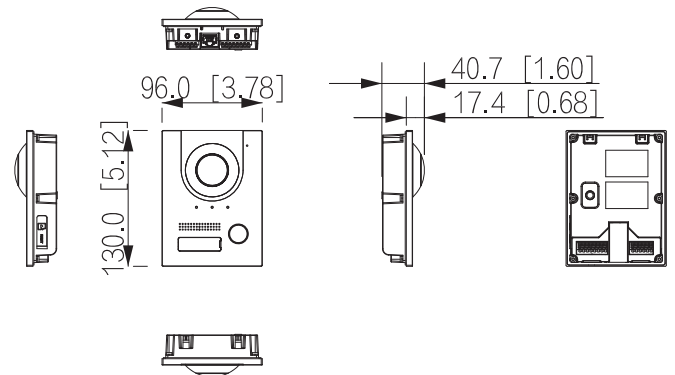
Ordering Information

Type	Model	Description
IP Villa Door Station	DHI-VTO2201F-P-S2	IP Villa Door Station
Accessories (Sold Separately)	VTM114	Flush Mounted Box
	VTM115	Surface Mounted Box
	VTM05R	Surface Mounted Box With Rain Cover

Installation



Dimensions (mm[inch])



Application

